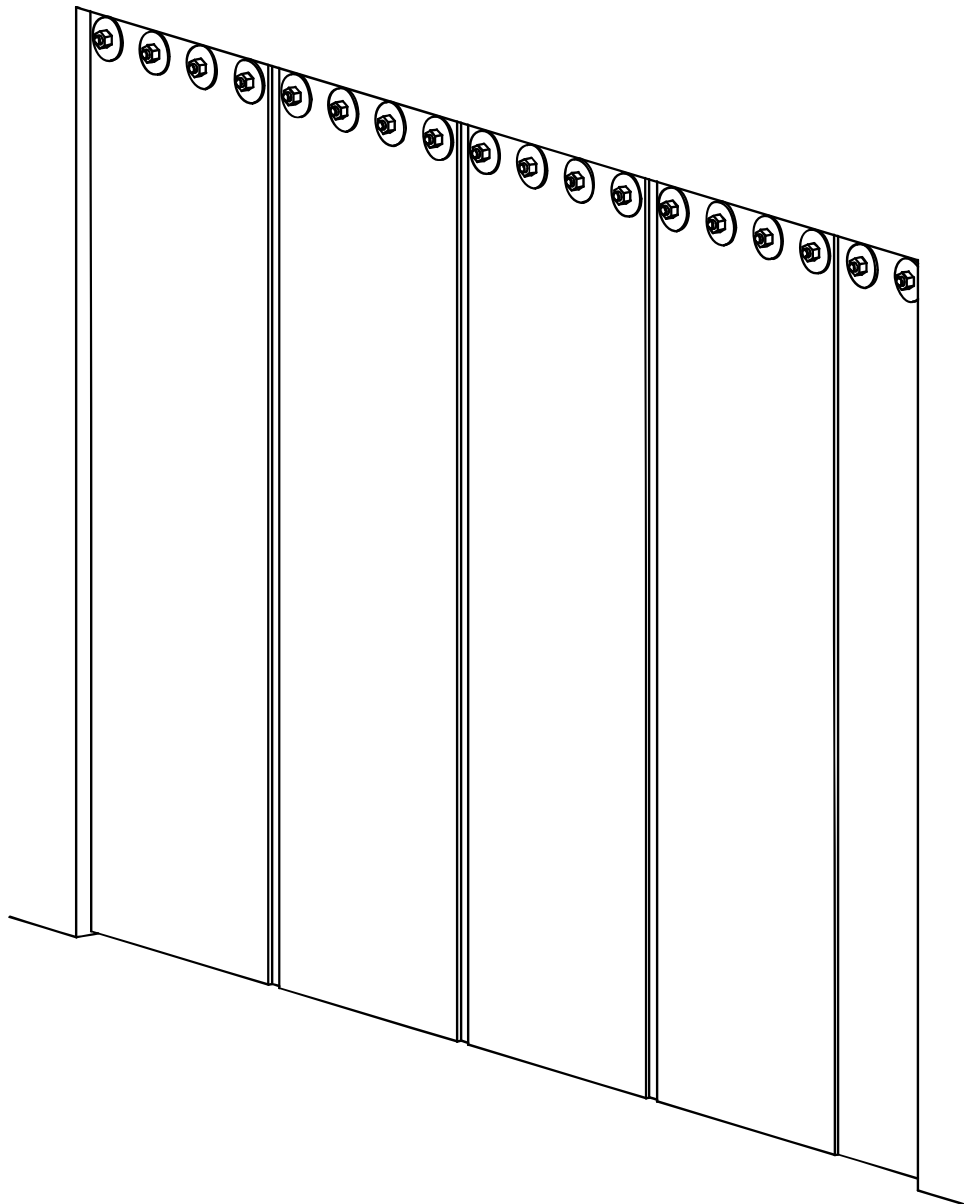


# Series 9010-1 - Lintel Mount Strip Curtain

## INSTALLATION INSTRUCTIONS

**READ ALL INSTRUCTIONS BEFORE INSTALLING CURTAIN. SUPER SEAL MFG. LTD. WILL NOT BE HELD RESPONSIBLE FOR IMPROPER INSTALLATION OF ANCHORING DEVICES, OR FOR INSTALLATION INTO AGED OR UNSOUND CONCRETE, CONCRETE BLOCK, OR OTHER WALL OR FLOOR MATERIAL WHICH MAY RESULT IN PREMATURE PRODUCT WEAR, PRODUCT FAILURE, PROPERTY DAMAGE, OR PERSONAL INJURY.**



Note: Before Installation see hardware list at back of this manual (page 4).

## 1. Prepare PVC angle

- a. Insert track bolts into PVC angle holes (Fig. 1).

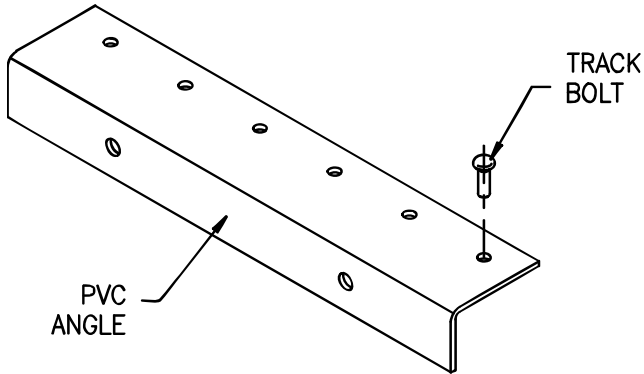


FIG. 1

- b. Tape back side to hold track bolts in place (Fig. 2)

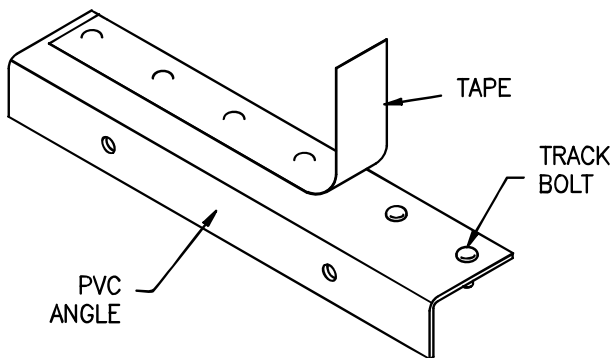


FIG. 2

## 2. Attach PVC angle to Lintel

- a. Put PVC angle into place against lintel (Fig. 3).
- b. Ensure that PVC angle is straight and in line with wall.
- c. Drill through mounting holes in PVC angle (use  $\text{Ø } 3/8''$  concrete drill bit).
- d. Insert  $3/8''$  sleeve anchors and tighten with  $1/2''$  socket driver bit (Fig. 3).

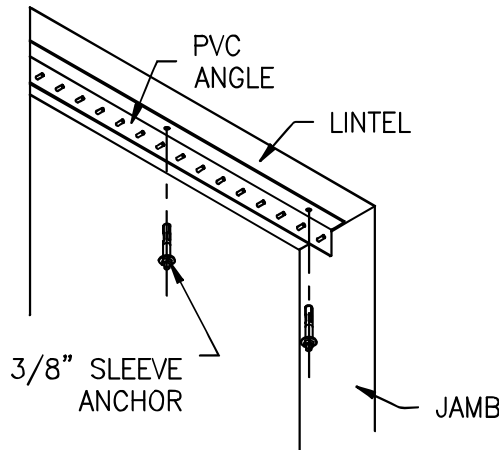


FIG. 3

### 3. Attach PVC Strips

- a. Attach PVC strips to PVC angle track bolts (Fig. 4).
- b. Secure into position using 1/4" fender washers and 1/4" hex nuts, use 7/16" socket driver bit.

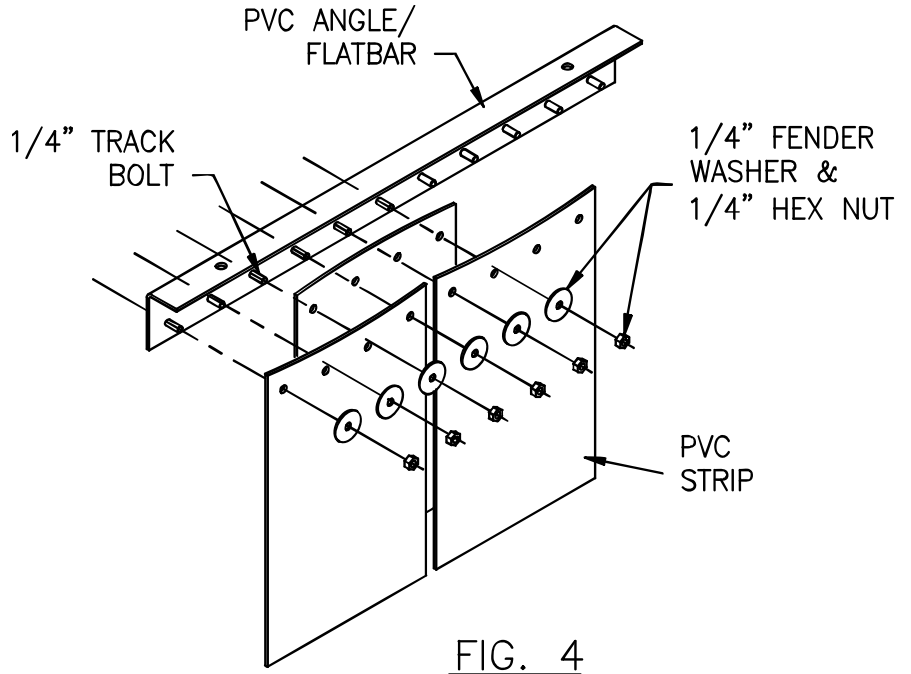
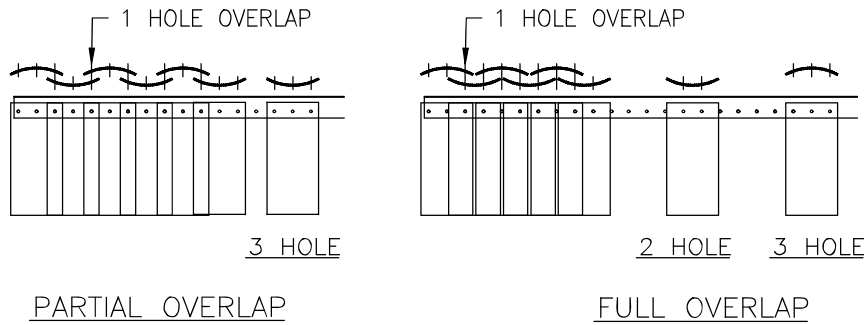
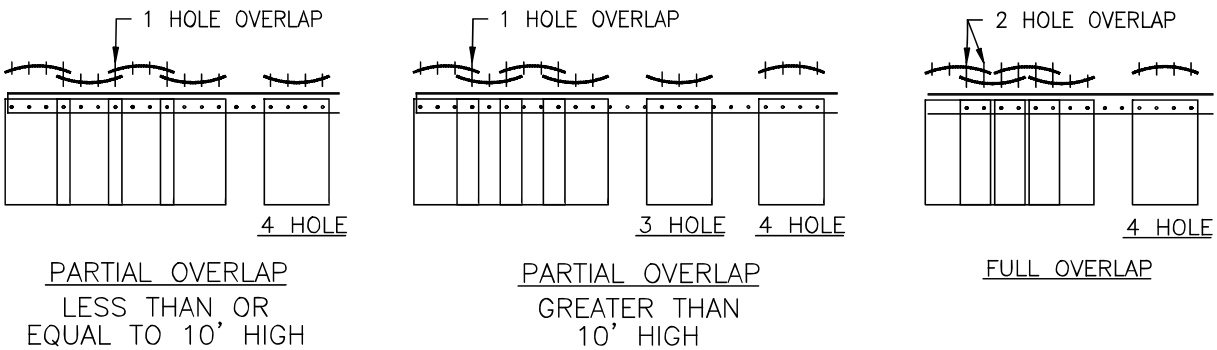


FIG. 4

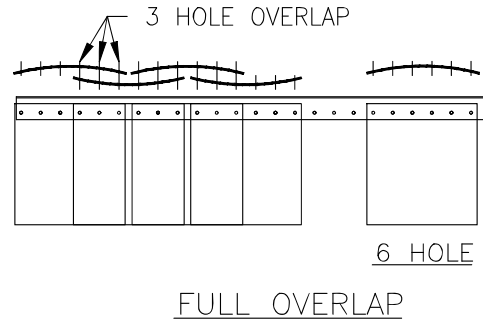
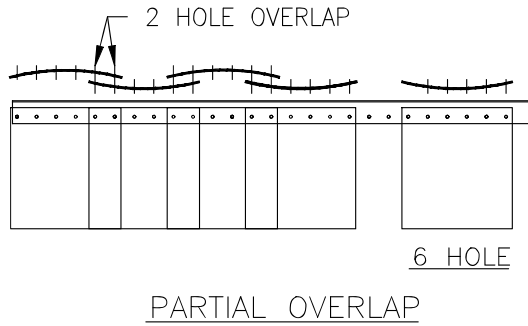
Note: Refer to Figs. A-D for proper PVC strip layout.



6" STRIPS  
FIG. A

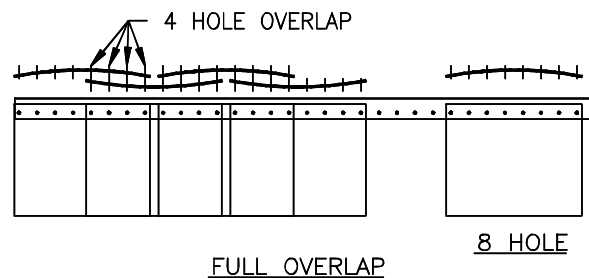
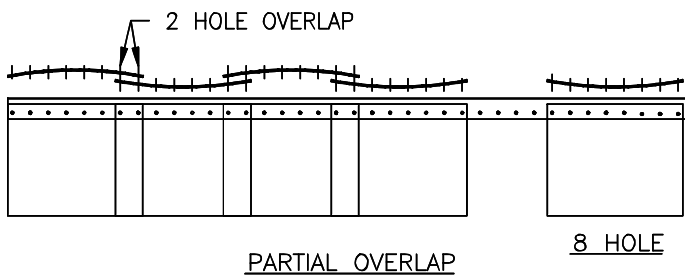


8" STRIPS  
FIG. B



12" STRIPS

FIG. C



16" STRIPS

FIG. D

The Following Lists Cover Basic Installation, Not Including Options.

**Components List (Per Assembly)**

No.	Description	Qty.
1	PVC Flat bar or PVC Angle	*
2	PVC Strips	*

\*Quantities dependent on customer specifications

**Hardware List (Per Assembly)**

No.	Description	Qty.
1	1/4" (20) HEX NUT-ZINC	*
2	1/4" B.S. FENDER WASHER-ZINC	*
3	1/4" (20) X3/4" TRACK BOLT-ZINC	*
4	3/8" X1 7/8" SLEEVE ANCHOR-ZINC	*

\*Quantities dependent on customer specifications

**Recommended Tools**

No.	Description	Qty.
1	Tape Measure	1
2	Plumb line or Level	1
3	Pencil or Marker	1
4	Square	1
5	Power Drill	1
6	Hammer Drill	1
7	3/8" Masonry Drill Bit	1
8	1/2" Socket Driver Bit	1
9	7/16" Socket Driver Bit	1